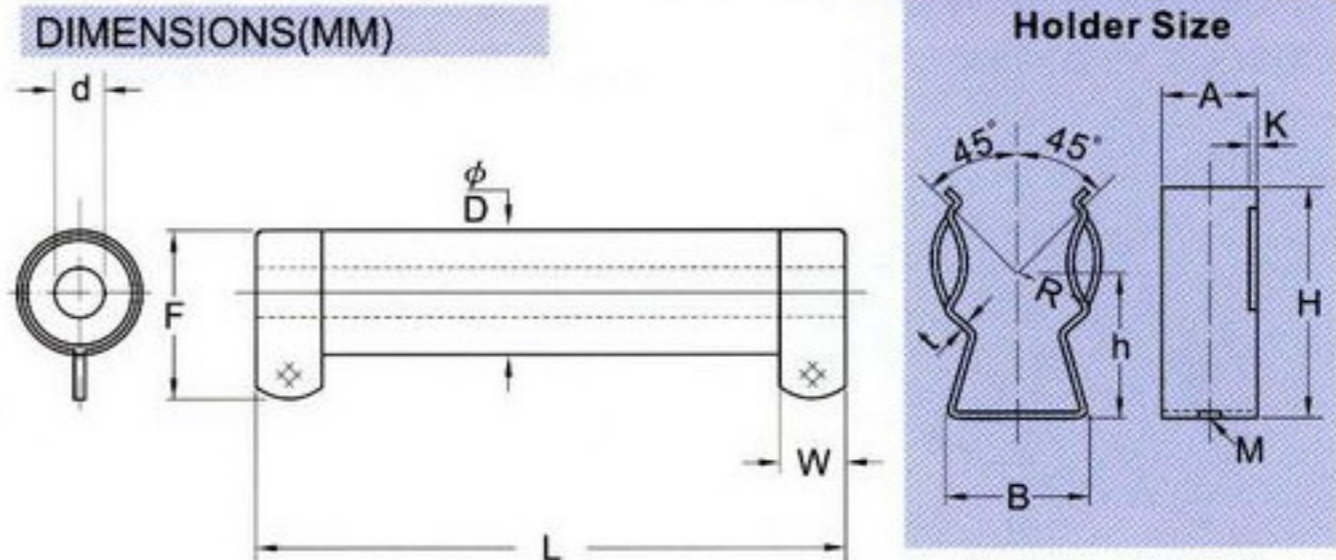


TYPE CD

圓管型功率電阻器

BAND WIREWOUND RESISTORS



HOW TO ORDER

CD 100W N 80Ω J
 TYPE RESISTANCE TOLERANCE

In case of Non-inductive type, use the N

TYPE	電阻值範圍(Ω) RESISTANT RANGE	寸法 DIMENSIONS(mm)					HOLDER TYPE
		L	D	d	W	F	
CD 30W	0.1Ω~30K	75	19	10	15	24	H19
CD 40W	0.1Ω~40K	90	19	10	15	24	
CD 50W	0.1Ω~50K	75	30	16	20	37	H30
CD 60W	0.1Ω~60K	90	30	16	20	37	
CD 80W	0.1Ω~80K	115	30	16	20	37	
CD 100W	0.1Ω~100K	140	30	16	20	37	
CD 120W	0.1Ω~120K	163	30	16	20	37	
CD 150W	0.2Ω~150K	195	30	16	20	37	
CD 200W	0.2Ω~200K	254	30	16	20	37	
CD 250W	0.5Ω~250K	303	30	16	20	37	

Holder TYPE	寸法 DIMENSION(mm)							
	R	A	B	H	h	M	t	K
H19	9	10	16	25	15	4.2	0.8	1.5±0.5
H30	14.5	18	24	39	26	6.5	1	1.5±1