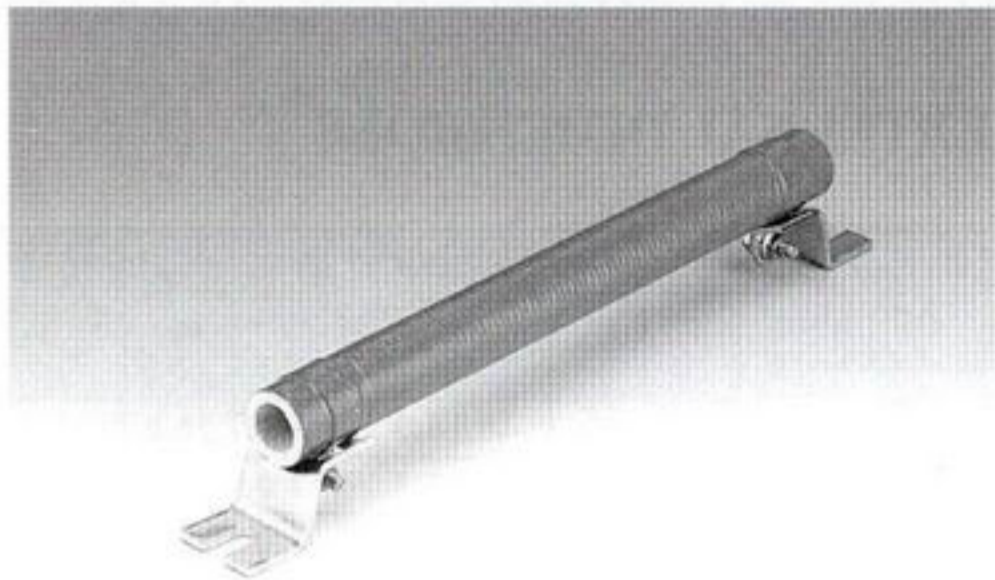
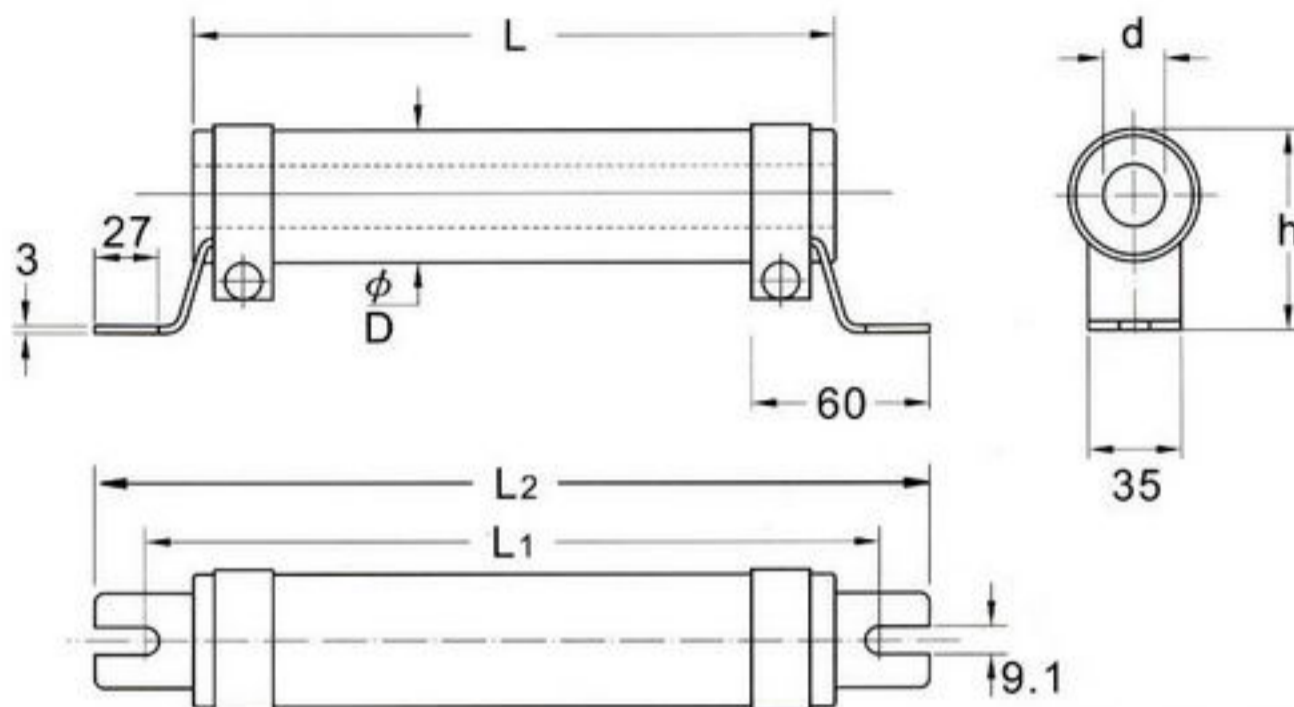


TYPE CR 端子兼腳架型大功率電阻器 ELECTRICAL TRACTION WIREWOUND RESISTORS



DIMENSIONS(MM)

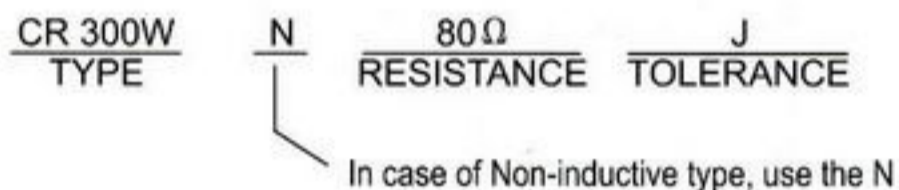


SPECIAL MATERIAL COATING

(Three types to choose from)

1. Silicone(350°C)
2. Ceramic(1,200°C)
3. Enamel(500°C)

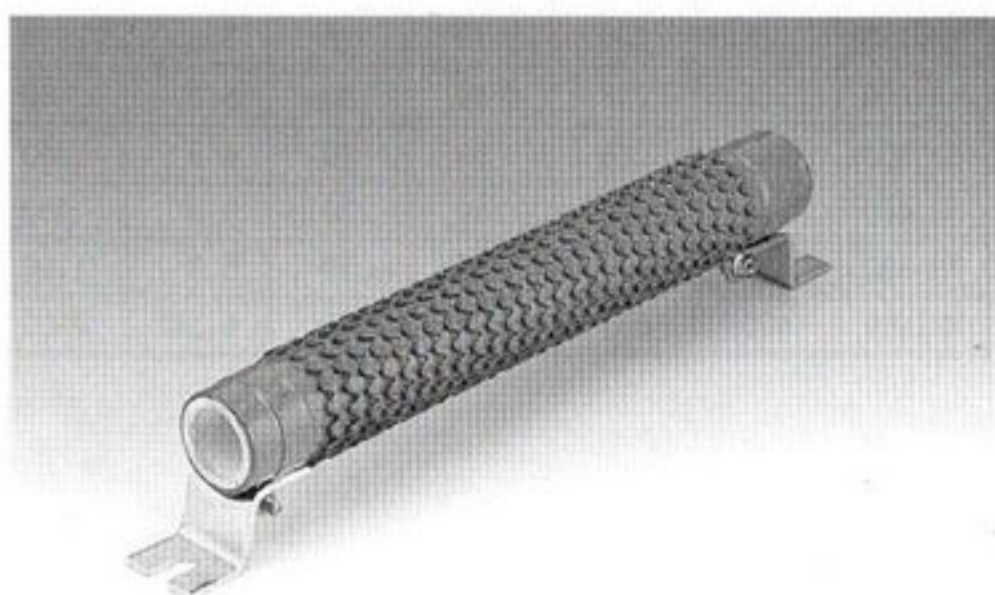
HOW TO ORDER



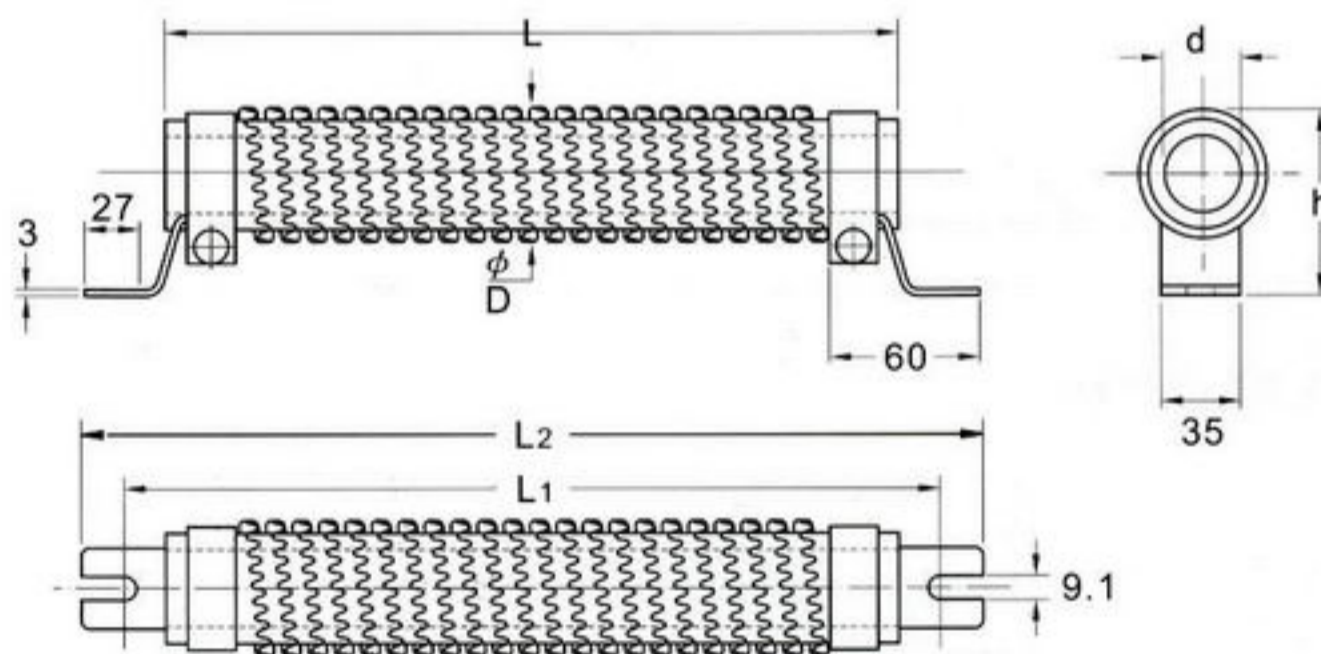
TYPE	電阻值範圍(Ω) RESISTANT RANGE	寸法 DIMENSION(mm)					
		L	D	d	L1	L2	h
CR 150W	0.1Ω~150K	195	30	16	237	257	58
CR 200W	0.1Ω~200K	254	30	16	296	316	58
CR 250W	0.1Ω~250K	303	30	16	345	365	58
CR 300W	0.1Ω~300K	254	45	28	296	316	73
CR 400W	0.1Ω~400K	330	45	28	372	392	73
CR 500W	0.1Ω~500K	303	55	35	345	365	83
CR 600W	0.1Ω~600K	330	55	35	372	392	83
CR 750W	0.2Ω~750K	390	55	35	432	452	83
CR 1000W	0.2Ω~1M	500	55	35	542	562	83
CR 1500W	0.5Ω~1.5M	500	69	40	542	562	97
CR 2000W	0.5Ω~2M	650	69	40	692	712	97

- Specifications custom made
- Inductive/non-inductive are available

TYPE QR 端子兼腳架型波浪電阻器 UNDULATED WIREWOUND RESISTORS



DIMENSIONS(MM)

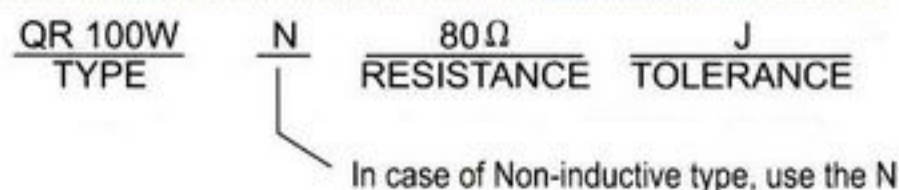


SPECIAL MATERIAL COATING

(Three types to choose from)

1. Silicone(350°C)
2. Ceramic(1,200°C)
3. Enamel(500°C)

HOW TO ORDER



TYPE	電阻值範圍(Ω) RESISTANT RANGE	寸法 DIMENSION(mm)					
		L	D	d	L1	L2	h
QR 225W	0.04Ω~8Ω	195	33	16	237	257	60
QR 300W	0.05Ω~10Ω	254	33	16	296	316	60
QR 450W	0.06Ω~12Ω	254	48	28	296	316	75
QR 600W	0.08Ω~15Ω	330	48	28	372	392	75
QR 750W	0.1Ω~20Ω	303	58	35	345	365	85
QR 850W	0.2Ω~25Ω	330	58	35	372	392	85
QR 1000W	0.3Ω~30Ω	390	58	35	432	452	85
QR 1500W	0.4Ω~35Ω	500	58	35	542	562	85
QR 2250W	0.5Ω~40Ω	500	72	40	542	562	99
QR 3000W	0.7Ω~50Ω	650	72	40	692	712	99

- Specifications custom made