



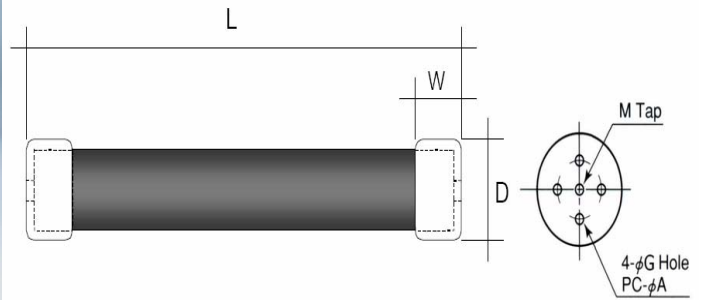
TYPE HPW&HCW

高電壓電阻器

HIGH VOLTAGE POWER RESISTORS



DIMENSIONS(MM)



Features :

- Power ratings up to 500 Watts.
- Voltage ratings up to 200KV.
- Excellent resistance to voltage pulses.
- Excellent temperature stability.

Applications :

- Surge absorbing resistors.
- Protective resistors at the time of a short-circuit.
- Resistors for charging and discharging high voltage.
- Dividers for D.C. voltage and for measuring lightning and switching impulses.

HPW & HCW Resistors, which are non-inductive wire wound resistors for high voltage with resistance wires wound on insulation pipes.

The designs meeting customers demanded specifications are available. Refer to us for your dimensions.

TYPE	Resistance Range		Max. Oper. Voltage	Dimensions(mm)					
	Inductive	Non-Inductive		L	D±0.5	W	M	G	A
HPW-25W	8~75KΩ	8~1000Ω	120KV	300±2	31.5	18	6	4	14
HPW-50W	10~150KΩ	10~1800Ω	160KV	400±3	45	20	8	4	16
HPW-100W	15~200KΩ	15~3000Ω	200KV	500±3	62	25	10	7	26
HPW-200W	20~300KΩ	20~5000Ω	200KV	1000±4	62	25	10	7	26
HPW-500W	30~500KΩ	30~8000Ω	200KV	1000±4	135	30	12	20	80

HPW resistor with resistance wires wire wound on FRP pipe.

HCW-10W	10~5KΩ	5~500Ω	10KV	60±2	17.5	10	3	2	7
HCW-20W	10~10KΩ	5~800Ω	24KV	80±2	17.5	10	3	2	7
HCW-35W	10~20KΩ	5~900Ω	48KV	156±2	17.5	10	3	2	7
HCW-50W	10~30KΩ	5~1000Ω	30KV	105±2	31.5	18	6	4	14
HCW-65W	10~50KΩ	10~1200Ω	48KV	160±2	31.5	18	6	4	14
HCW-85W	10~60KΩ	10~1400Ω	65KV	210±2	31.5	18	6	4	14
HCW-100W	10~75KΩ	10~1600Ω	90KV	250±3	31.5	18	6	4	14
HCW-120W	10~100KΩ	10~1800Ω	100KV	308±3	31.5	18	6	4	14
HCW-150W	10~120KΩ	10~2000Ω	100KV	308±3	45	20	8	4	16
HCW-250W	10~150KΩ	10~3000Ω	120KV	450±4	45	20	8	4	16
HCW-400W	10~200KΩ	10~3000Ω	125KV	500±4	62	25	10	7	26

HCW resistors which are wound around ceramic core.

Characteristics :

Operating temperature type: HPW -55°C to +125°C
HCW -55°C to +230.

Tolerance(Code): ±0.1%(B),±0.25%(C),±1%(F),±2%(G),
±5%(J),±10%(K).

Temperature coefficient: ±25ppm/°C,±50ppm/°C,
±100ppm/°C,±260ppm/°C.

Dielectric strength: > 1000Volt 25°C,75% relative humidity.

Insulation resistance: > 10000M ohm 500Volts@25°C,75%
relative humidity.

Overload: ΔR/R 0.5%max 2.5× wattage rating -5sec.

Load Life: ΔR/R 0.5%max 1000 hours at rated load.

Thermal shock: ΔR/R 0.2%max

Moisture resistance: ΔR/R 0.25%max

WATTAGE VS. AMBIENT TEMP.DERATING

