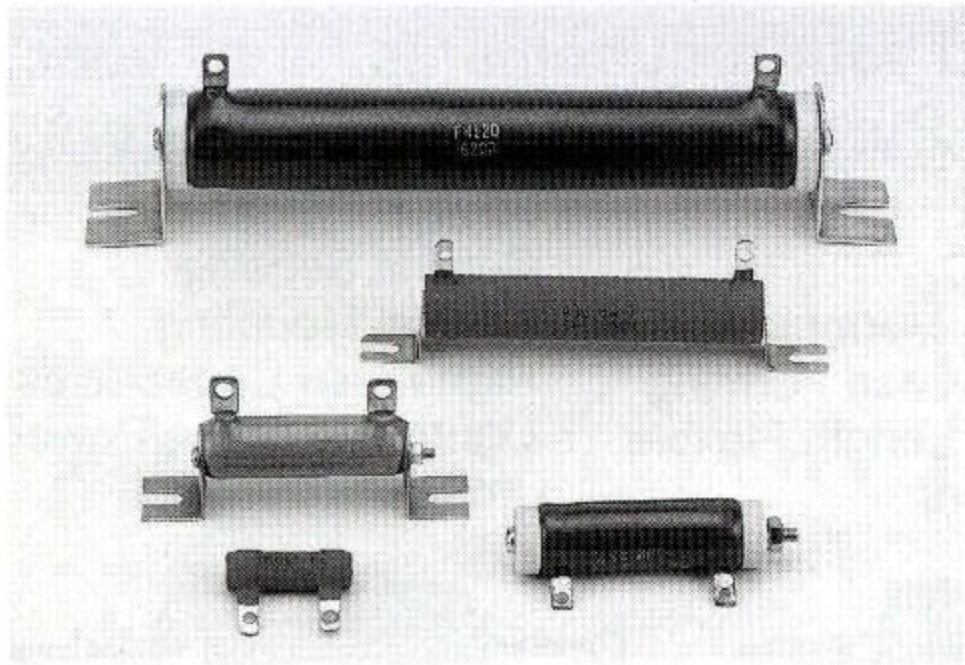


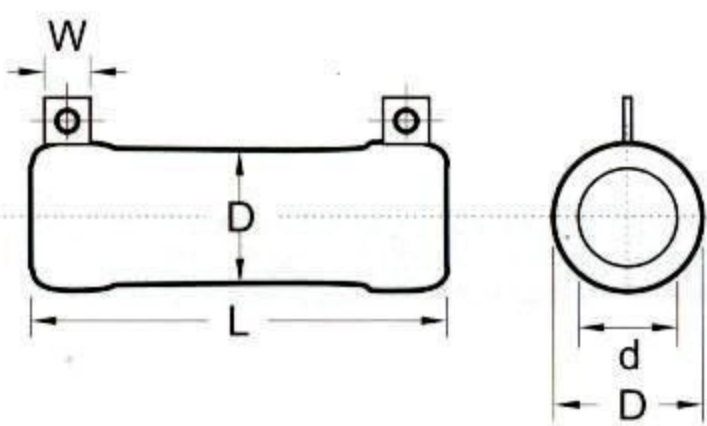
## TYPE CH 大功率電阻器 HIGH-POWER WIREWOUND RESISTORS



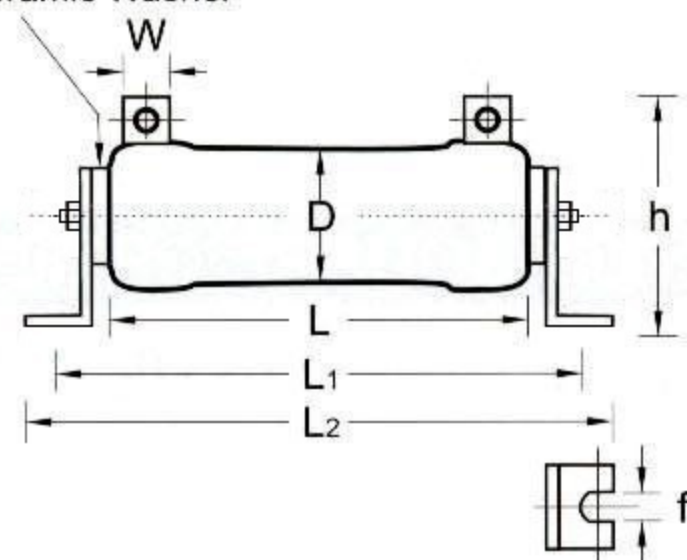
### PERFORMANCE:

- RESISTANCE TEMP. COEFF  $\pm 400, 260, 100\text{PPM}/^\circ\text{C}$
- SHORT TIME OVER LOAD  $\pm (2\% \pm 0.05\Omega)$
- INSULATION RESISTANCE 500V 20M  $\Omega$  MIN
- VOLTAGE WITHSTANDING 1000V for 1 min
- COATING MATERIALS:
  - S: COATING GREEN SILICONE (NON FLAME) 350 $^\circ\text{C}$
  - C: CERAMIC MATERIALS 1200 $^\circ\text{C}$ HIGH TEMP WITHSTAND CERAMIC INODOROUS  $\cdot$  INCREASED POWER 20%
  - E: ENAMEL COATED COVER 500 $^\circ\text{C}$

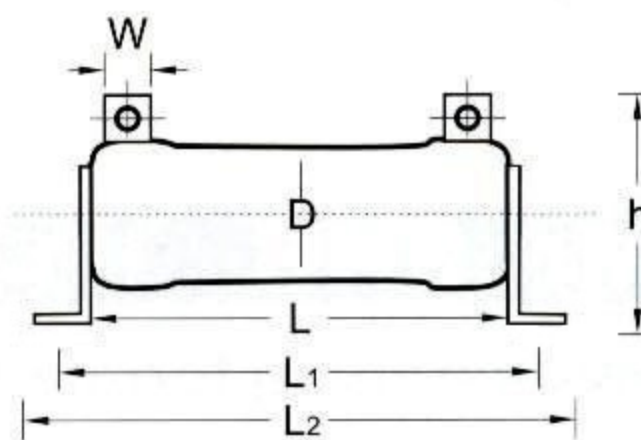
■ STYLE-CH



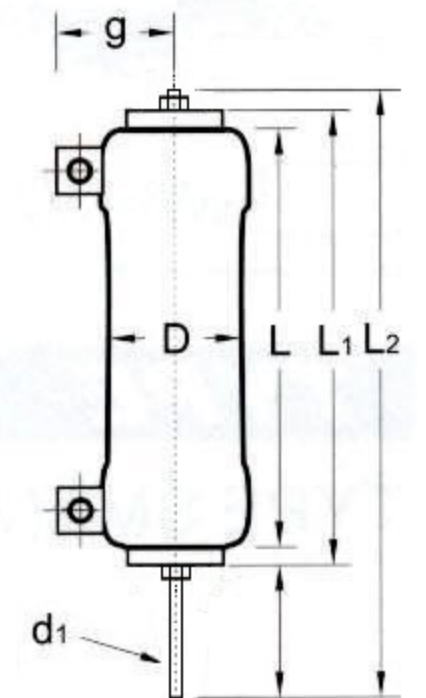
■ STYLE-CHL Ceramic Washer



■ STYLE-CHZ



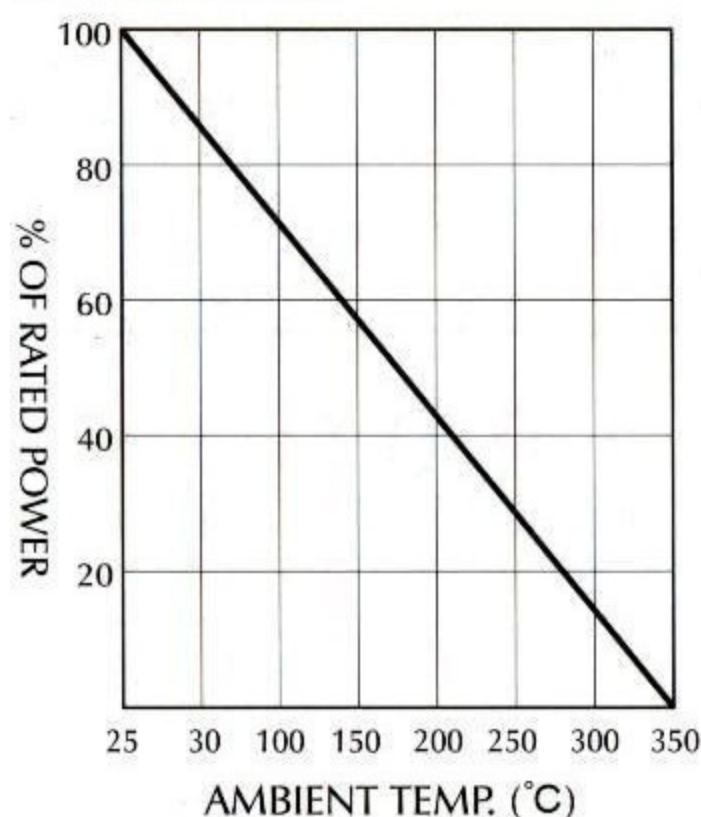
■ STYLE-CHO



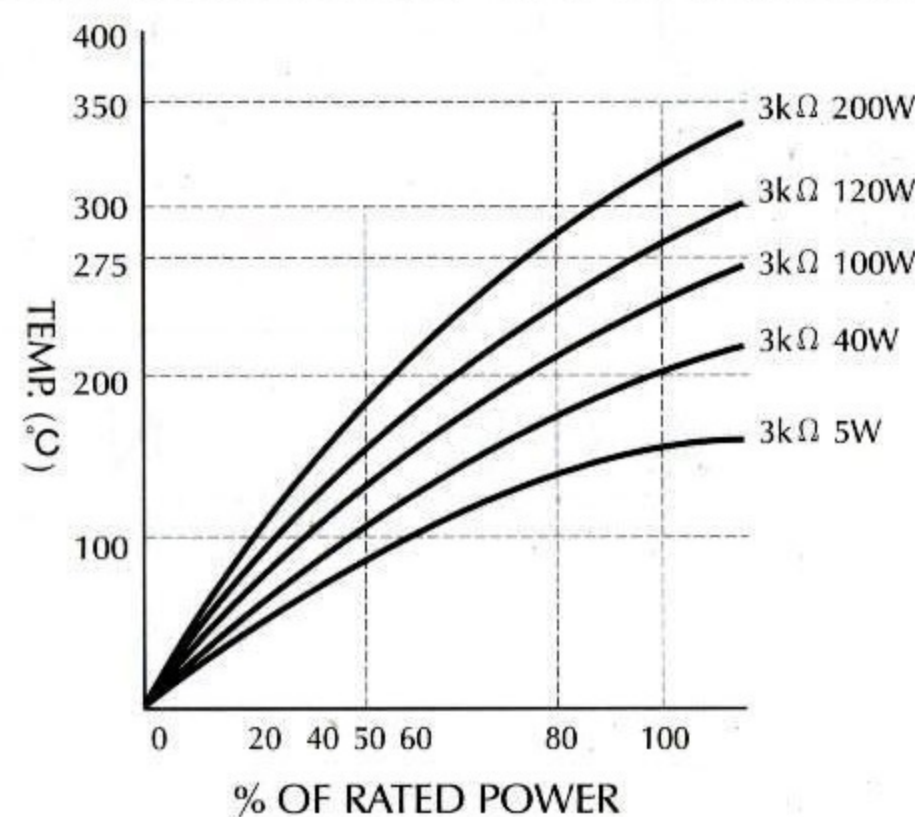
Silicone coating TYPE	電阻値範圍(Ω) RESISTANT RANGE ( )Adjustable type	寸法 DIMENSION (mm)									STYLE-CHL			STYLE-CHZ			STYLE-CHO		Increased Power 50% Ceramic Coating
		L	D	d	g	W	d1	f	L1	L2	h	L1	L2	h	L1	L2			
CH 5W	0.1Ω ~ 5K (650)	30	12	6	17	5													
CH 10W	0.1Ω ~ 10K (1.2K)	45	12	6	17	5													
CH 15W	0.1Ω ~ 15K (1.5K)	45	15	8	19	5													
CH 20W	0.1Ω ~ 20K (2.2K)	50	19	10	20	5	4	4.1	75	86	38	66	80	38	60	82			
CH 25W	0.1Ω ~ 25K (2.5K)	60	19	10	20	5	4	4.1	86	96	38	76	90	38	70	97			
CH 30W	0.1Ω ~ 30K (3.3K)	75	19	10	20	5	4	4.1	101	111	38	91	105	38	85	116			
CH 40W	0.1Ω ~ 40K (4.9K)	90	19	10	20	5	5	4.1	115	126	38	106	120	38	100	133			
CH 50W-A	0.1Ω ~ 50K (5.0K)	102	19	10	20	8	5	4.1	128	138	42	118	132	42	112	143			
CH 60W-A	0.1Ω ~ 60K (6.0K)	120	19	10	20	8	5	4.1	145	156	42	136	148	42	130	168			
CH 50W	0.1Ω ~ 50K (5.6K)	75	30	16	32	8	5	5.2	115	135	58	88	106	58	90	123	CHP	75W	
CH 60W	0.1Ω ~ 60K (7K)	90	30	16	32	8	5	5.2	130	150	58	104	122	58	105	143	CHP	90W	
CH 80W	0.1Ω ~ 80K (10K)	115	30	16	32	8	5	5.2	155	175	58	130	146	58	130	168	CHP	120W	
CH 100W	0.1Ω ~ 100K (12K)	140	30	16	32	8	5	5.2	180	200	58	155	172	58	155	192	CHP	150W	
CH 120W	0.1Ω ~ 120K (15K)	163	30	16	32	8	5	5.2	203	223	58	179	195	58	178	220	CHP	180W	
CH 150W	0.1Ω ~ 150K (16K)	195	30	16	32	8	5	5.2	235	255	58	212	228	58	210	243	CHP	225W	
CH 200W	0.1Ω ~ 200K (24K)	254	30	16	32	8	5	5.2	294	314	58	270	285	58			CHP	300W	
CH 250W	0.1Ω ~ 250K (30K)	303	30	16	32	8	5	5.2	343	363	58	319	335	58			CHP	375W	
CH 300W	0.1Ω ~ 300K (50K)	254	45	28	47	15		9.15	309	334	90						CHP	450W	
CH 400W	0.1Ω ~ 400K (60K)	330	45	28	47	15		9.15	385	410	90						CHP	600W	
CH 500W	0.1Ω ~ 500K (80K)	303	55	35	52	15		9.15	358	383	95						CHP	750W	
CH 600W	0.1Ω ~ 600K (90K)	330	55	35	52	15		9.15	385	410	95						CHP	850W	
CH 750W	0.2Ω ~ 750K (100K)	390	55	35	52	15		9.15	445	470	95						CHP	1000W	
CH 1000W	0.2Ω ~ 1M(120K)	500	55	35	52	15		9.15	555	580	95						CHP	1500W	
CH 1500W	0.5Ω ~ 1.5M(150K)	500	69	40	60	15		9.15	584	613	130						CHP	2250W	
CH 2000W	0.5Ω ~ 2M(200K)	650	69	40	60	15		9.15	734	763	130						CHP	3000W	
CH 2500W	0.5Ω ~ 2M(200K)	695	69	40	60	15		9.15	780	808	130						CHP	3500W	

- Specifications custom made
- Inductive/non-inductive are available

### DERATING



### SURFACE TEMP. VS POWER LOAD



### TEMP. VS TIME (100% LOAD)

